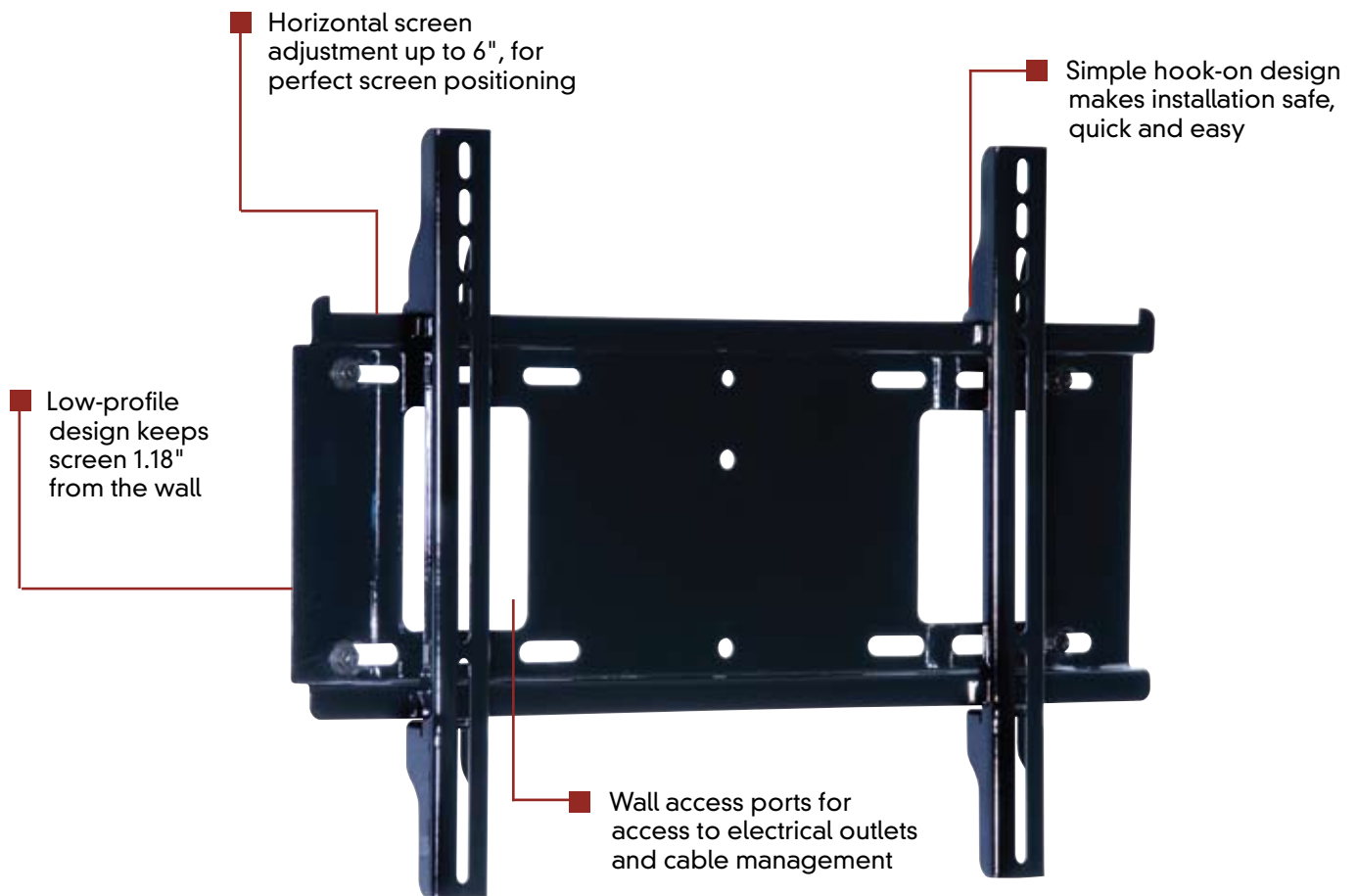


Universal Flat Wall Mount For 23" to 46" LCD Flat Panel Screens

NEW!

Create a sleek and stylish flat panel installation with this easy to install low-profile flat wall mount. Its design is simple and intuitive to use, just attach the wall plate, attach the screen adapters to the flat panel and hook onto the wall plate, done.





Universal Flat Wall Mount

For 23" to 46" LCD Flat Panel Screens

Model Numbers

PF640

Product Specifications

FEATURES

- Universal mount accommodates screens with mounting patterns up to 17.25" W x 12.94" H
- Low-profile design holds screen only 1.18" from the wall for a clean application
- Easy-glide adapters easily hook onto wall plate for a simple, safe and quick installation
- Horizontal screen adjustment of up to 6" (depending on screen model) for perfect screen placement
- Mounts to wood studs, concrete, cinder block or metal studs (metal stud accessory required)
- Comes with Peerless' Sorted-for-You™ fastener pack with all necessary screen attachment hardware
- UL listed

DIMENSIONS (W x H x D)

19.25" x 13.75" x 1.18" (48.9 x 34.9 x 3 cm)

LOAD CAPACITY

150 lb (68 kg)

PRODUCT WEIGHT

4.3 lb (2 kg)

FINISH

Scratch-resistant fused epoxy

AVAILABLE COLORS

Gloss black

PATENT

Patent pending

Package Specifications

PACKAGE CONTENTS

Wall plate, universal adapters, mounting and screen attachment hardware

UNITS IN PACKAGE

1

PACKAGE SIZE (W x H x D)

20.5" x 8.6" x 4" (52.1 x 21.8 x 10.2 cm)

PACKAGE SHIP WEIGHT

5.6 lb (2.54 kg)

PACKAGE UPC CODE

PF640: 735029252344

WARRANTY

Limited 5-year

peerless®
MOUNTS

Peerless Industries, Inc.
3215 W. North Avenue,
Melrose Park, IL 60160

(800) 865-2112

(708) 865-8870

Fax: (708) 865-2941

www.peerlessmounts.com



Low profile design holds screen 1.18" from the wall



LIT-0219